

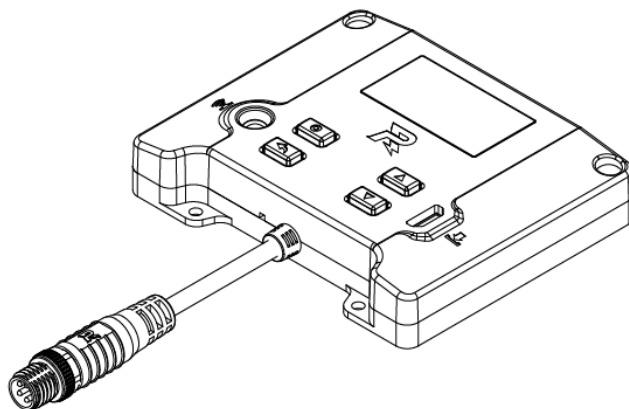
# RoboMaster Referee System

## Main Control Module MC02

User Guide

使用说明

v1.0 2018.11



# Disclaimer

Thank you for purchasing the ROBOMASTER™ Referee System Main Control Module. Please read this disclaimer carefully before using this product. By using this product, you hereby signify that you have read and agree to all content herein. Please install and use this product properly and in strict accordance with the User Manual and product instructions, as well as any relevant laws, regulations, and policies. Users shall be responsible for the consequences resulting from their behavior while using this product. DJI™ will not bear any legal responsibilities for any damages due to improper use, installation or modification.

DJI and RoboMaster are trademarks of SZ DJI™ Technology Co., Ltd and its affiliates. Names of products, brands, etc., appearing in this document are trademarks or registered trademarks of their respective owner companies. This product and document are copyrighted by DJI with all rights reserved. No part of this product or document shall be reproduced in any form without the prior written consent or authorization of DJI.

DJI reserves the right of final interpretation of this disclaimer.

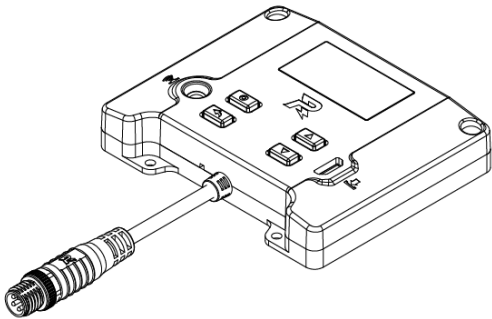
## Product Usage Precautions

1. Before using the product, make sure that there are no short circuits, and that all interfaces are correctly connected.
2. Before using the product, please download the RoboMaster 2019 Referee System User Manual from the official RoboMaster website to learn more about the product.

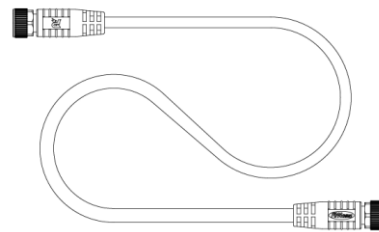
# Introduction

The Main Control Module of the Referee System (hereinafter referred to as the "Main Control Module") is the core control unit of the Referee System that monitors the operation of the entire system and integrates human-computer interaction, wireless communication, and status display features.

## Inventory List

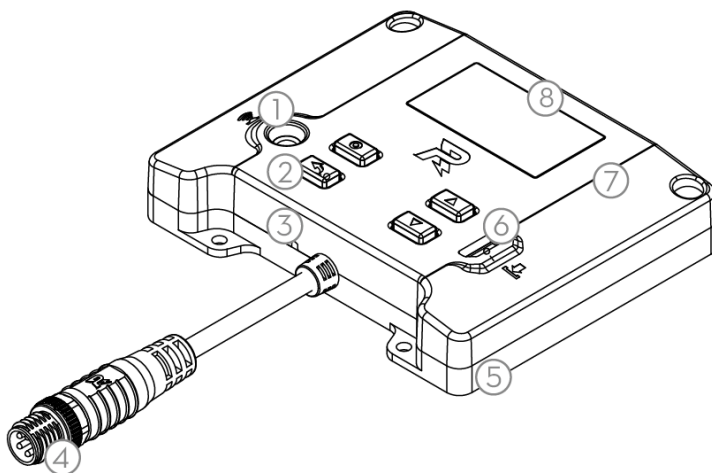


Main Control Module × 1



Aviation Connector Cable × 1

## Component Name



1. IR receiver

2. Buttons

3. Power source indicator

4. Aviation connector (with black metal ring)

The Main Control Module is connected to the Power Management Module via the aviation

connector cable for power supply and communication.

## 5. Metal bottom cover

## 6. Upgrade interface (Micro USB port)

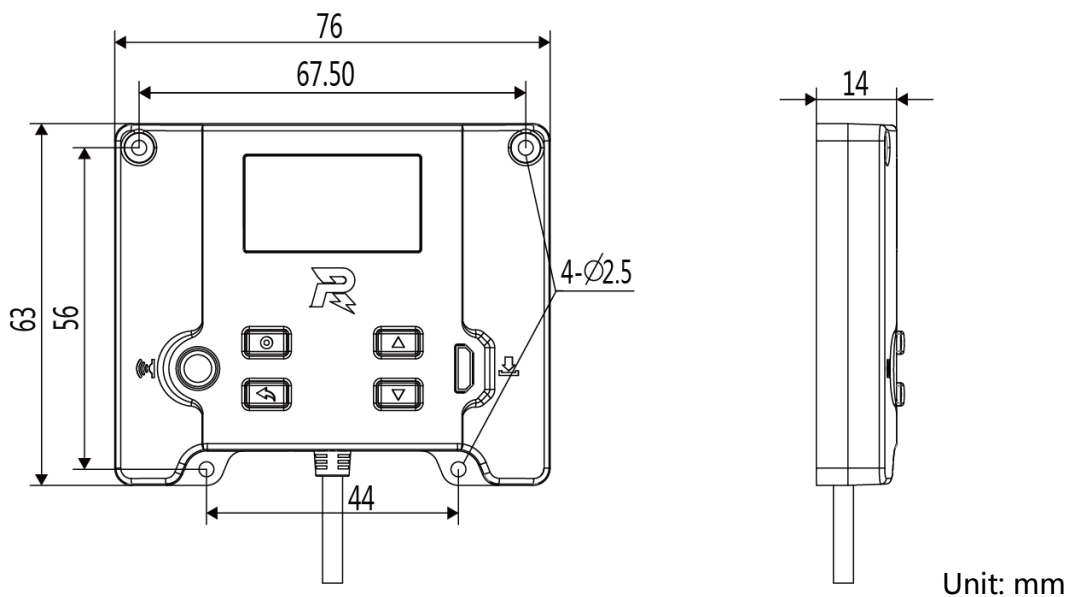
The upgrade interface of the main controller is connected to a PC via the Micro USB cable to upgrade the firmware of the main controller. It does not supply power.

## 7. Plastic top cover

## 8. Screen

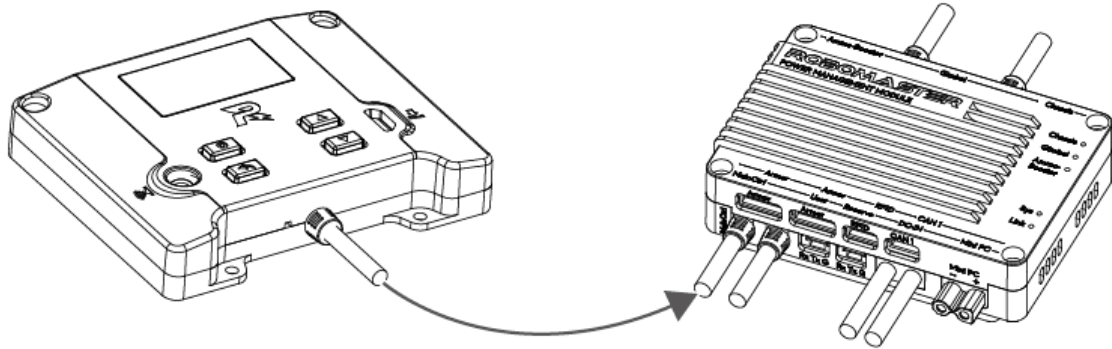
# Installation Dimensions

Please properly mount the Main Control Module to your robot according to the shape of the Main Control Module and the size of the mounting holes shown below.



# Mounting and Connection

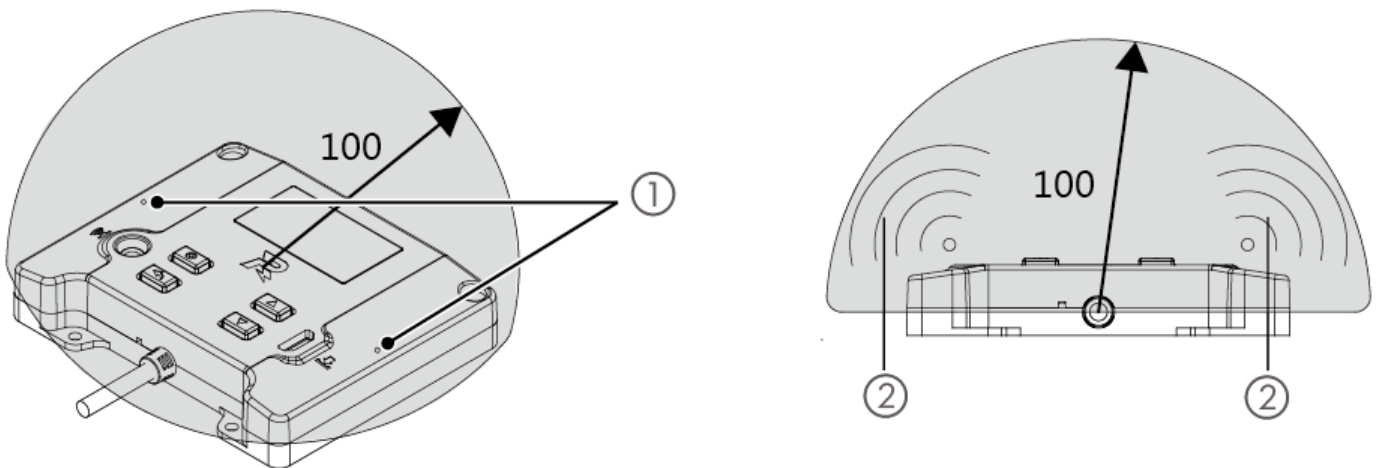
Connect the Main Control Module to the aviation connector with a black metal ring on the Power Management Module using the aviation connector cable contained in the package.



Use the aviation connector cable contained in the package

**The way the Main Control Module is mounted may affect its use. Please pay attention to the following:**

- Do not block the IR receiver or the upgrade interface.
- It is necessary to consider whether the environment where the Main Control Module is mounted will disturb the Wi-Fi signal. Do not place anything that causes electromagnetic interference or provides electromagnetic shielding within the 100 mm hemisphere. The signal direction of the antennae located on the Main Control Module is shown below:



1. Antenna position

2. Signal direction

Unit: mm

# Product Parameters

Rated Power Supply Voltage	12 V
Weight	Approx. 80 g
Wireless Band	ISM 2.4G

WWW.ROBOMASTER.COM

**R** and **ROBOMASTER** are trademarks of DJI

Copyright © 2018 DJI All Rights Reserved.

# 免责声明

感谢您购买 RoboMaster™裁判系统主控模块。在使用之前，请仔细阅读本声明，一旦使用，即被视为对本声明全部内容的认可和接受。请严格遵守手册、产品说明和相关的法律法规、政策、准则安装和使用该产品。在使用产品过程中，用户承诺对自己的行为及因此而产生的所有后果负责。因用户不当使用、安装、改装造成的任何损失，DJI™将不承担法律责任。

DJI 和 RoboMaster 是深圳市大疆™创新科技有限公司及其关联公司的商标。本文出现的产品名称、品牌等，均为其所属公司的商标。本产品及手册为大疆创新版权所有。未经许可，不得以任何形式复制翻印。

关于免责声明的最终解释权，归大疆创新所有。

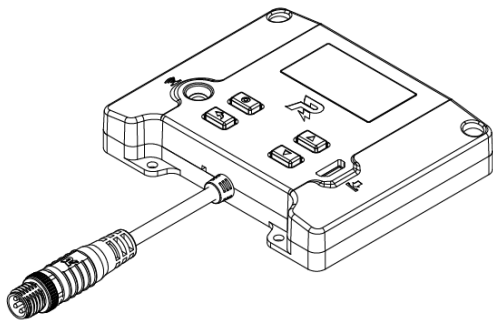
# 产品使用注意事项

3. 使用时请确保电路无短路、接口按照要求正确连接。
4. 使用前请前往 RoboMaster 官网下载《RoboMaster 2019 裁判系统用户手册》了解产品的详细功能。

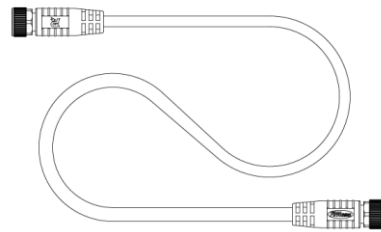
# 简介

裁判系统主控模块(以下简称“主控模块”)是裁判系统的核心控制单元,可以监控整个系统的运行状态,集成人机交互,无线通信,状态显示等功能。

# 物品清单

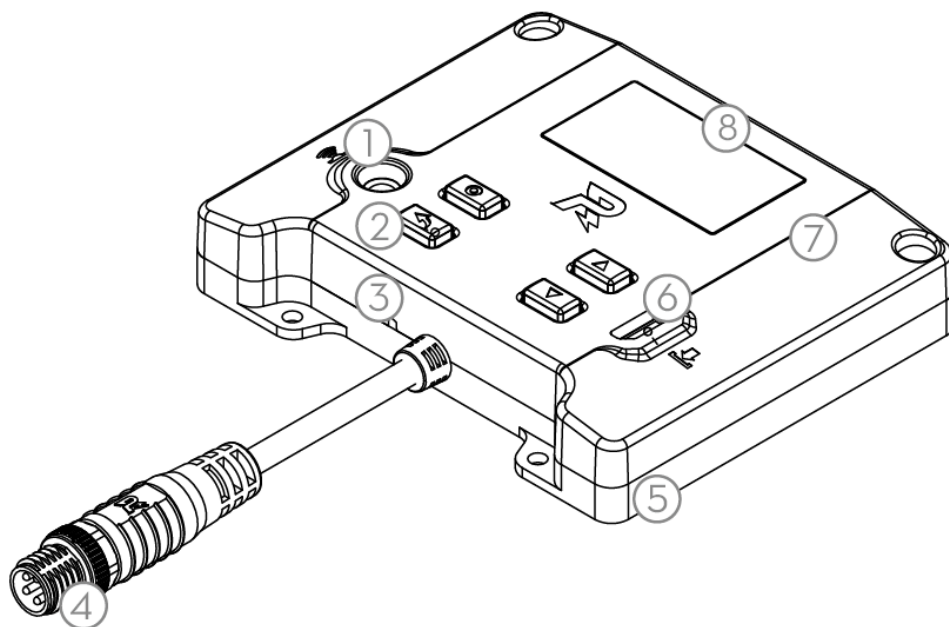


主控模块 × 1



航空转接线 × 1

# 部件名称



1. 红外接收器

2. 按键

3. 电源指示灯

4. 黑色金属圈航空接口

主控模块使用标配航空转接线连接至电源管理模块，进行供电和通讯。

5. 金属下壳

6. 升级接口 ( Micro USB 口 )

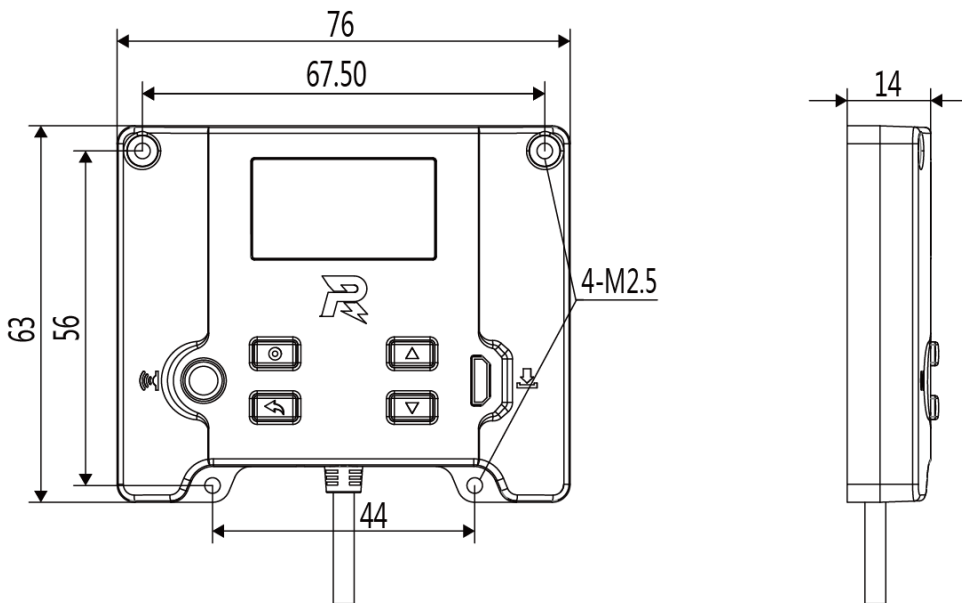


使用 Micro-USB 连接线连接主控的升级接口至 PC，  
对主控进行固件升级。该接口不对外供电。

- 7. 塑料上壳
- 8. 屏幕

## 安装尺寸

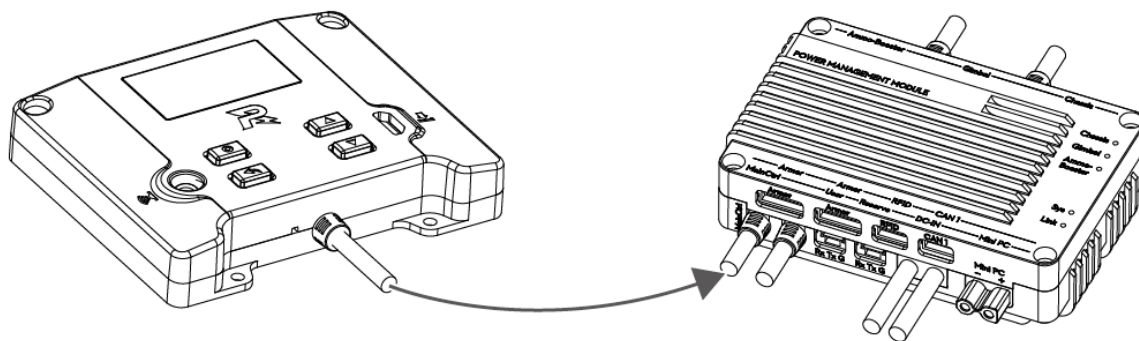
请按照下图主控模块外形及安装孔尺寸将主控模块安装至机器人的合适位置。



单位：mm

## 安装连接

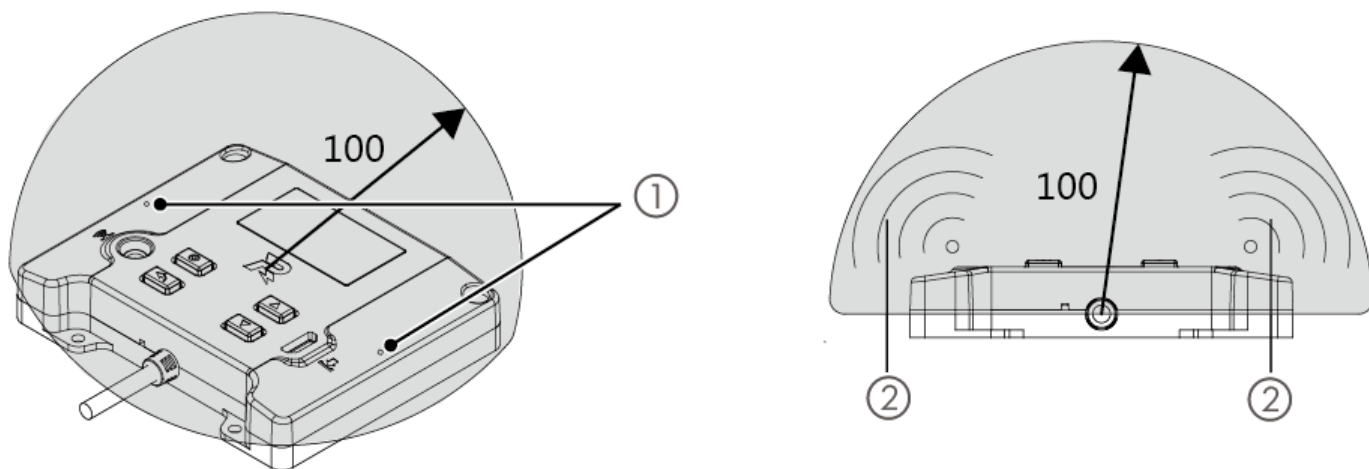
使用包装内的航空转接线，连接主控模块至电源管理模块上带黑色金属圈的航空接口。



使用包装内的航空转接线

主控模块的安装方式可能会影响到其使用性能，安装时请注意以下事项：

- 切勿遮挡红外接收器和升级接口。
- 需考虑主控模块的安装环境是否会对 Wi-Fi 信号造成干扰，主控模块的天线信号辐射方向及距离请参考下图：



1. 天线所在位置
2. 信号辐射方向

单位：mm

## 产品参数

额定供电电压	12 V
重量	约 80 g
无线频段	ISM 2.4G

WWW.ROBOMASTER.COM

**R** 和 **ROBOMASTER** 是大疆创新的商标

Copyright© 2018 大疆创新 版权所有。



Contact us

联系我们

RoboMaster Website: [www.robomaster.com](http://www.robomaster.com)

RoboMaster BBS: [bbs.robomaster.com](http://bbs.robomaster.com)

RoboMaster Email: [robomaster@dji.com](mailto:robomaster@dji.com)

